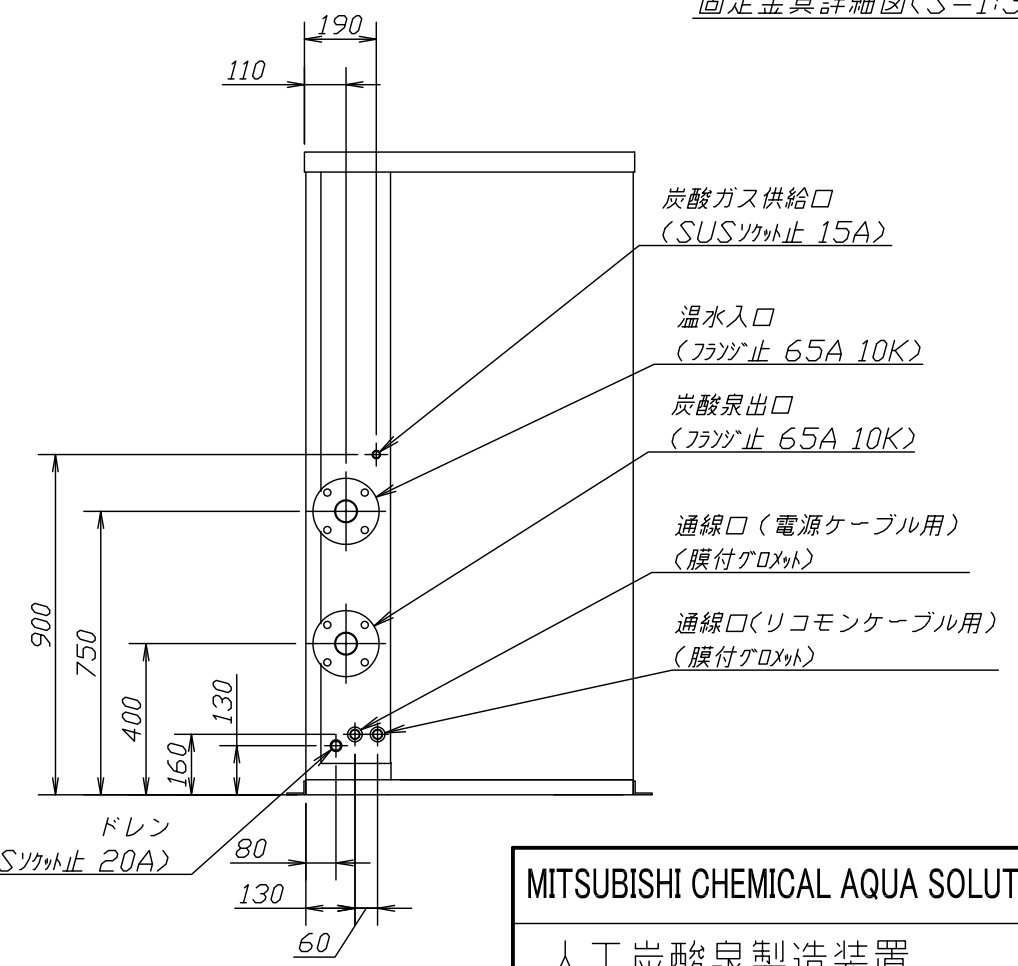
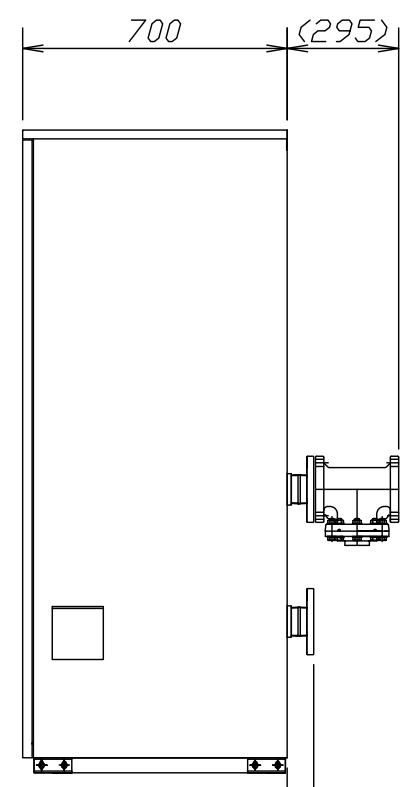
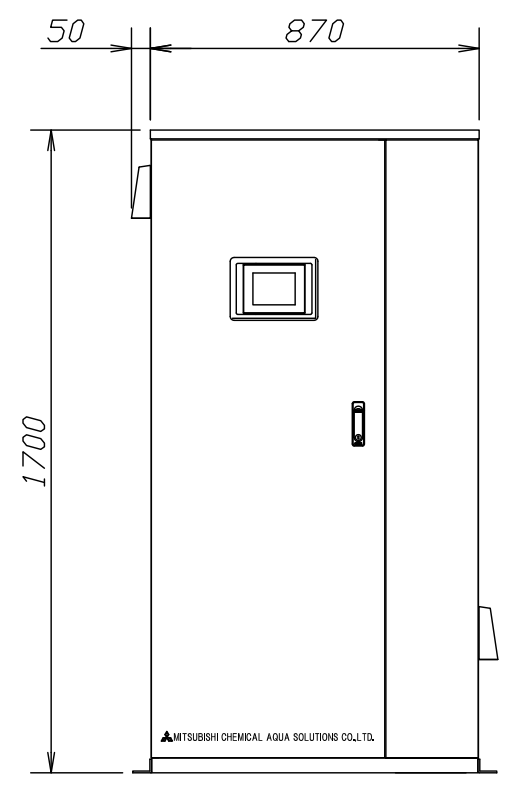
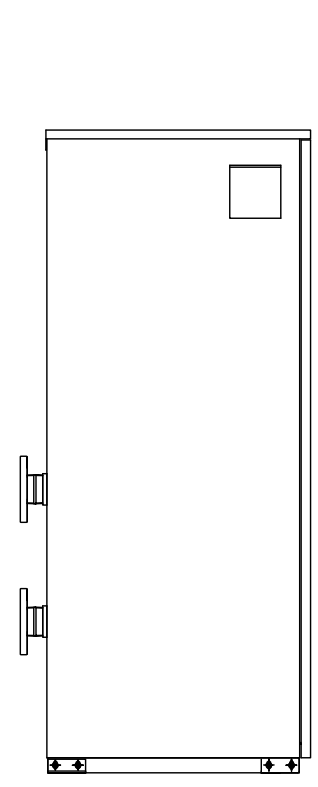


固定金具詳細図(S=1:3)



MITSUBISHI CHEMICAL AQUA SOLUTIONS CO.,LTD.

人工炭酸泉製造装置
 GC360C外形図

NO.	DESCRIPTION	APPROVED	CHECKED	REVISED	DATE
△					
△					
△					
REVISIONS					

SCALE	1/15	DATE	2017,4,4
APPROVED BY		DESIGNED BY	
CHECKED BY		DRAWN BY	T.S
DWG.NO.	3-PC-00910		△